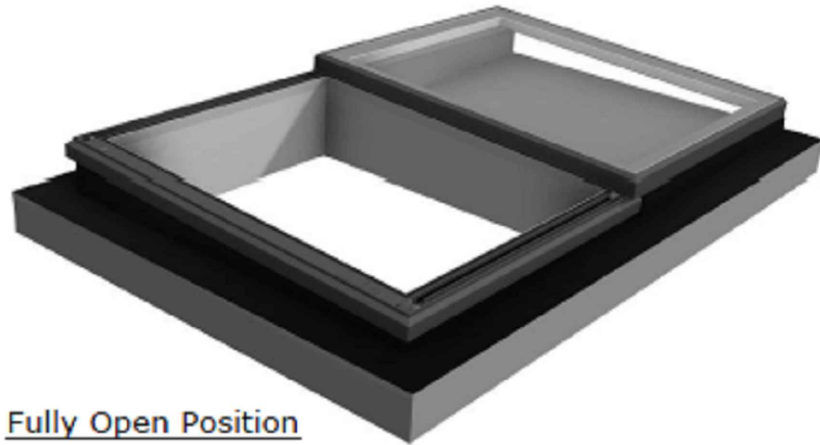




## Sliding Over Roof Rooflight Series

- Wide range of sizes available
- Concealed electromechanical drive
- Can open to any position
- Polyester powder-coated aluminium framework
- Can be controlled by phone app
- Thermally efficient
- Secured with multiple locking points
- Provides approximately 100% clear opening
- Up to 4000mm (external Width) in the sliding direction
- Up to 4000mm (external Span) down the fall
- Up to a 45° pitch
- Unlocks rooftop space by providing access to terrace
- Optional
  - Access key pad
  - Rain sensor
  - Light curtain (Anti-trap)
  - Temperature sensor



Fully Open Position

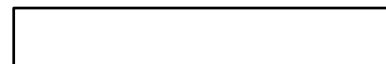


Closed Position



### GENERAL NOTES

1. NO DIMENSIONS ARE TO BE SCALED FROM THIS DRAWING.
2. DISCREPANCIES IN SITE DIMENSIONS TO BE REPORTED TO NEXT GENERATION ROOFLIGHTS.
3. ALL DIMENSIONS IN MILLIMETERS.
4. ALL LEVELS IN METRES.
5. THIS DRAWING REMAINS THE PROPERTY OF VISION AGI LIMITED AND MAY NOT BE COPIED, REPRODUCED OR ITS CONTENTS DIVULGED WITHOUT PRIOR WRITTEN CONSENT FROM VISION AGI LIMITED.



Next Generation Rooflights is a trading name of Vision AGI Limited, Company No. 08429446, Registered Office: 1 Vicarage Lane, Stratford, London, E15 4HF

Rev	Date	Init	Revision

**NEXT GENERATION ROOFLIGHTS**  
 Queens Business Park  
 Wilbraham Road  
 Fulbourn  
 Cambridge  
 CB21 5GT  
 T: 01223 792 224  
 E: sales@nextgenrooflights.co.uk  
 info@nextgenrooflights.co.uk  
 W: nextgenrooflights.co.uk

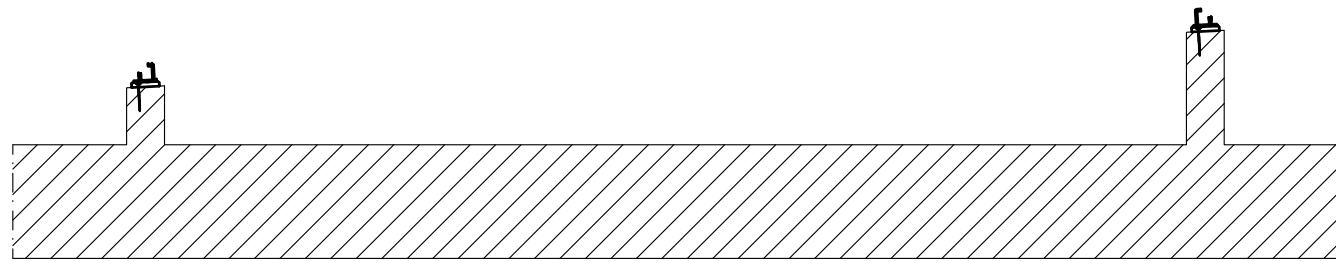


Client: \_\_\_\_\_

Title: Sliding Over Roof - Rooflight 3D Images & Characteristics			
Project: Rooflight			
Scales: NTS	Date: 01/07/22	Drawn: CR	Chk: CR
Drg No.: 300-SALES-001(0)		Rev: -	

**Section A-A ( Scale 1 : 20 )**

(Closed Position)



**FINISH SPECIFICATION:**

POLYESTER POWDER COATED; MIN 40 MICRONS

STANDARD EXTERNAL COLOUR: **RAL 7015 Slate Grey**

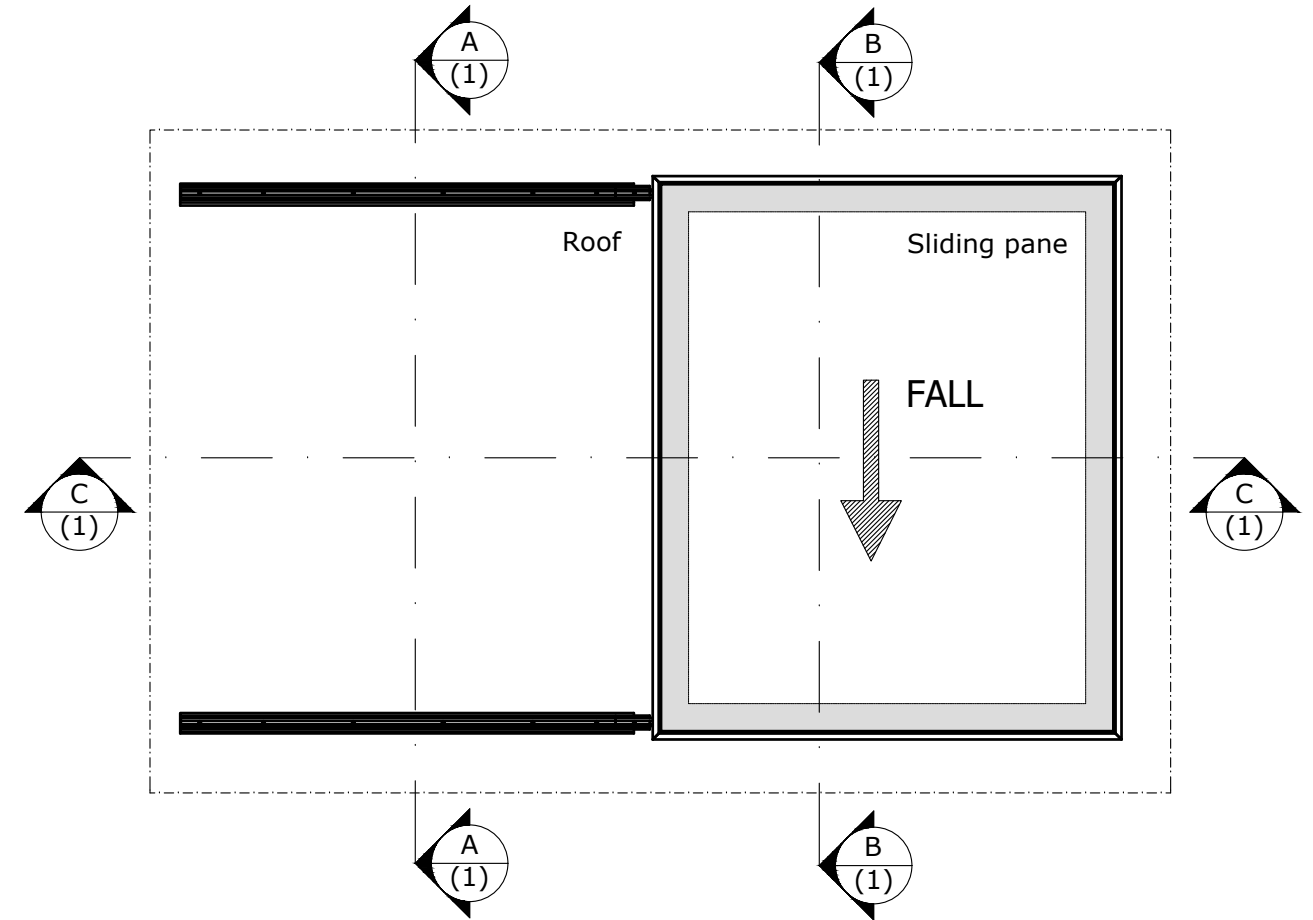
STANDARD INTERNAL COLOUR: **RAL 9010 Pure White**

**FIXING SPECIFICATION: A2 STAINLESS STEEL**

**SEALANTS SPECIFICATION: NEUTRAL CURE TO BS5889**

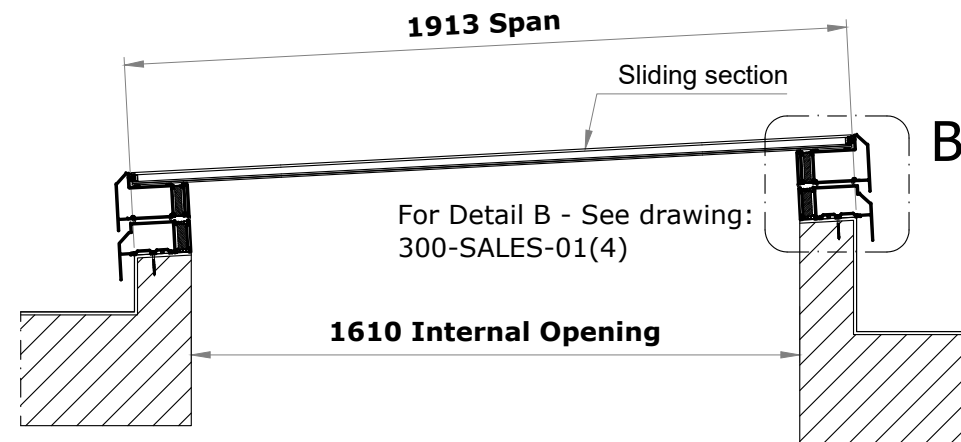
**Plan View ( Scale 1:40 )**

(Closed Position)

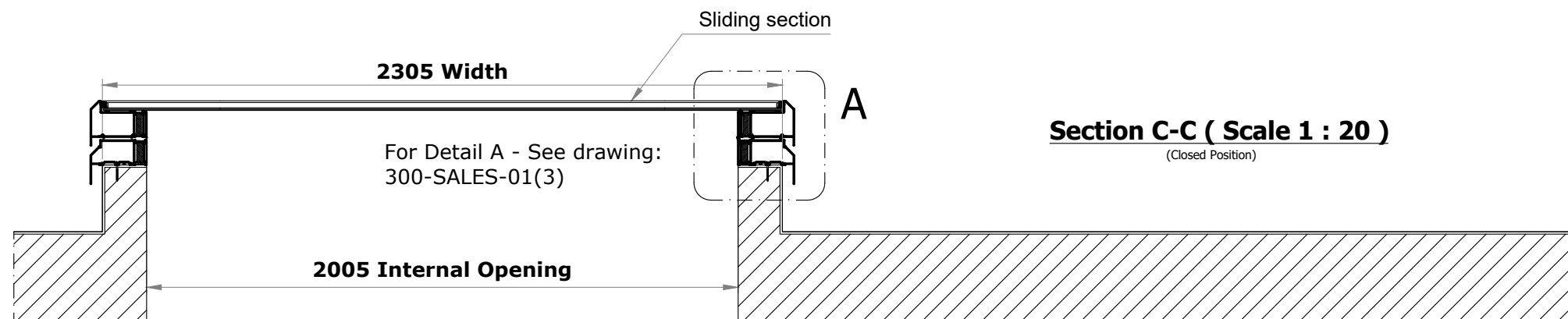


**Section B-B ( Scale 1 : 20 )**

(Closed Position)



GLASS CONFORMS TO IMPACT RESISTANCE AND BREAKAGE CHARACTERISTICS OF BS EN 12600:2002. IGUs FABRICATED TO BS EN 1279 AND SUPPLIED IN ACCORDANCE WITH BS 5516-2:2004.



**Section C-C ( Scale 1 : 20 )**

(Closed Position)

**GENERAL NOTES**

1. NO DIMENSIONS ARE TO BE SCALED FROM THIS DRAWING.
2. DISCREPANCIES IN SITE DIMENSIONS TO BE REPORTED TO NEXT GENERATION ROOFLIGHTS.
3. ALL DIMENSIONS IN MILLIMETERS.
4. ALL LEVELS IN METRES.
5. THIS DRAWING REMAINS THE PROPERTY OF VISION AGI LIMITED AND MAY NOT BE COPIED, REPRODUCED OR ITS CONTENTS DIVULGED WITHOUT PRIOR WRITTEN CONSENT FROM VISION AGI LIMITED.

Next Generation Rooflights is a trading name of Vision AGI Limited, Company No. 08429446, Registered Office: 1 Vicarage Lane, Stratford, London, E15 4HF

Rev	Date	Init	Revision

**NEXT GENERATION ROOFLIGHTS**  
 Queens Business Park  
 Wilbraham Road  
 Fulbourn  
 Cambridge  
 CB21 5GT  
 T: 01223 792 224  
 E: sales@nextgenrooflights.co.uk  
 info@nextgenrooflights.co.uk  
 W: nextgenrooflights.co.uk



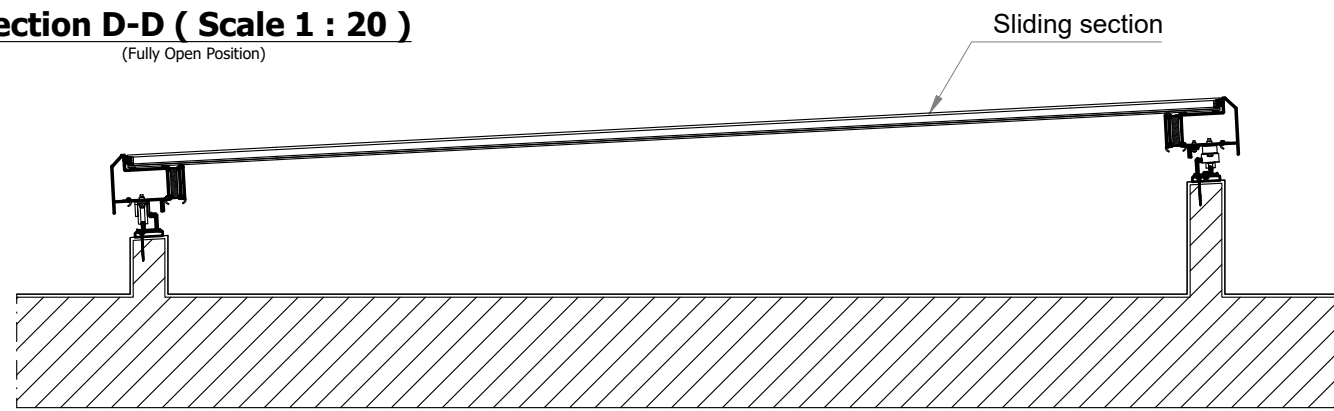
Client:

Title: Sliding Over Roof - Rooflight  
 Closed position

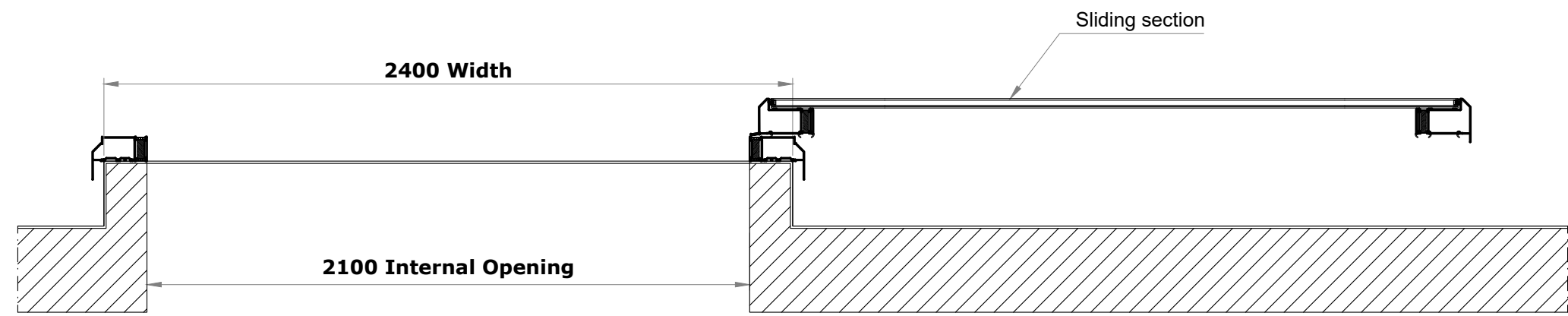
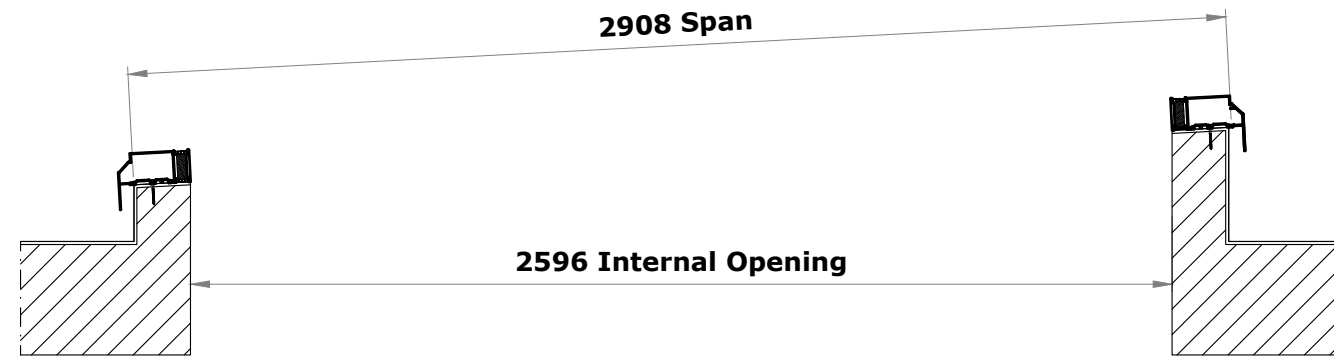
Project: Rooflight

Scales: 1:20 & 1:40 @ A3	Date: 01/07/22	Drawn: CR	Chk: CR
Drg No.: 300-SALES-001(1)		Rev: -	

**Section D-D ( Scale 1 : 20 )**  
(Fully Open Position)

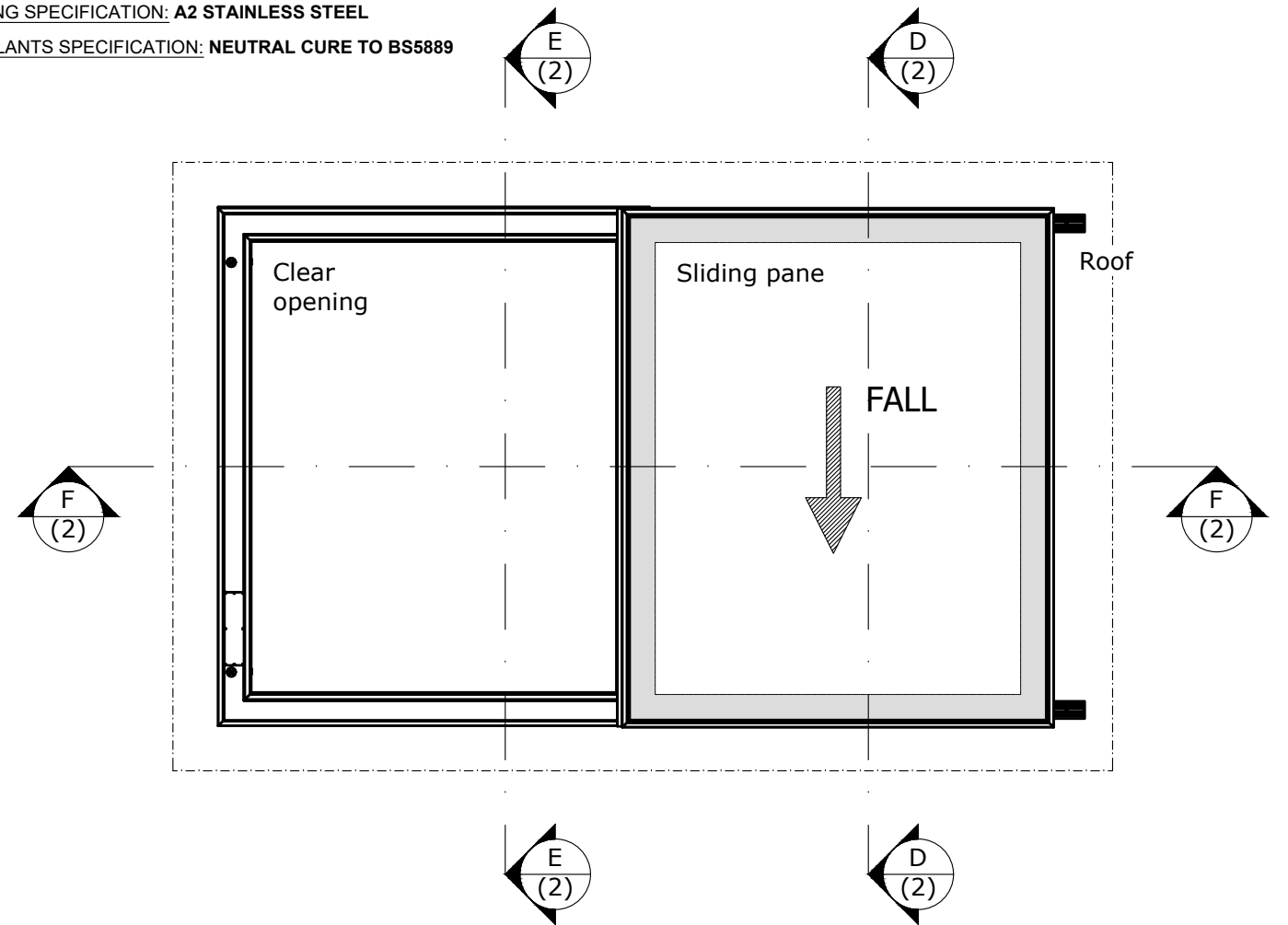


**Section E-E ( Scale 1 : 20 )**  
(Fully Open Position)



**FINISH SPECIFICATION:**  
 POLYESTER POWDER COATED; MIN 40 MICRONS  
 STANDARD EXTERNAL COLOUR: **RAL 7015 Slate Grey**  
 STANDARD INTERNAL COLOUR: **RAL 9010 Pure White**  
**FIXING SPECIFICATION: A2 STAINLESS STEEL**  
**SEALANTS SPECIFICATION: NEUTRAL CURE TO BS5889**

**Plan View ( Scale 1:40 )**  
(Fully Open Position)



GLASS CONFORMS TO IMPACT RESISTANCE AND  
 BREAKAGE CHARACTERISTICS OF  
 BS EN 12600:2002. IGUs FABRICATED TO BS EN 1279  
 AND SUPPLIED IN ACCORDANCE WITH BS 5516-2:2004.

**Section F-F ( Scale 1 : 20 )**  
(Fully Open Position)

**GENERAL NOTES**

- NO DIMENSIONS ARE TO BE SCALED FROM THIS DRAWING.
- DISCREPANCIES IN SITE DIMENSIONS TO BE REPORTED TO NEXT GENERATION ROOFLIGHTS.
- ALL DIMENSIONS IN MILLIMETERS.
- ALL LEVELS IN METRES.
- THIS DRAWING REMAINS THE PROPERTY OF VISION AGI LIMITED AND MAY NOT BE COPIED, REPRODUCED OR ITS CONTENTS DIVULGED WITHOUT PRIOR WRITTEN CONSENT FROM VISION AGI LIMITED.

Next Generation Rooflights is a trading name of Vision AGI Limited, Company No. 08429446, Registered Office: 1 Vicarage Lane, Stratford, London, E15 4HF

Rev	Date	Init	Revision

**NEXT GENERATION ROOFLIGHTS**  
 Queens Business Park  
 Wilbraham Road  
 Fulbourn  
 Cambridge  
 CB21 5GT  
 T: 01223 792 224  
 E: sales@nextgenrooflights.co.uk  
 info@nextgenrooflights.co.uk  
 W: nextgenrooflights.co.uk

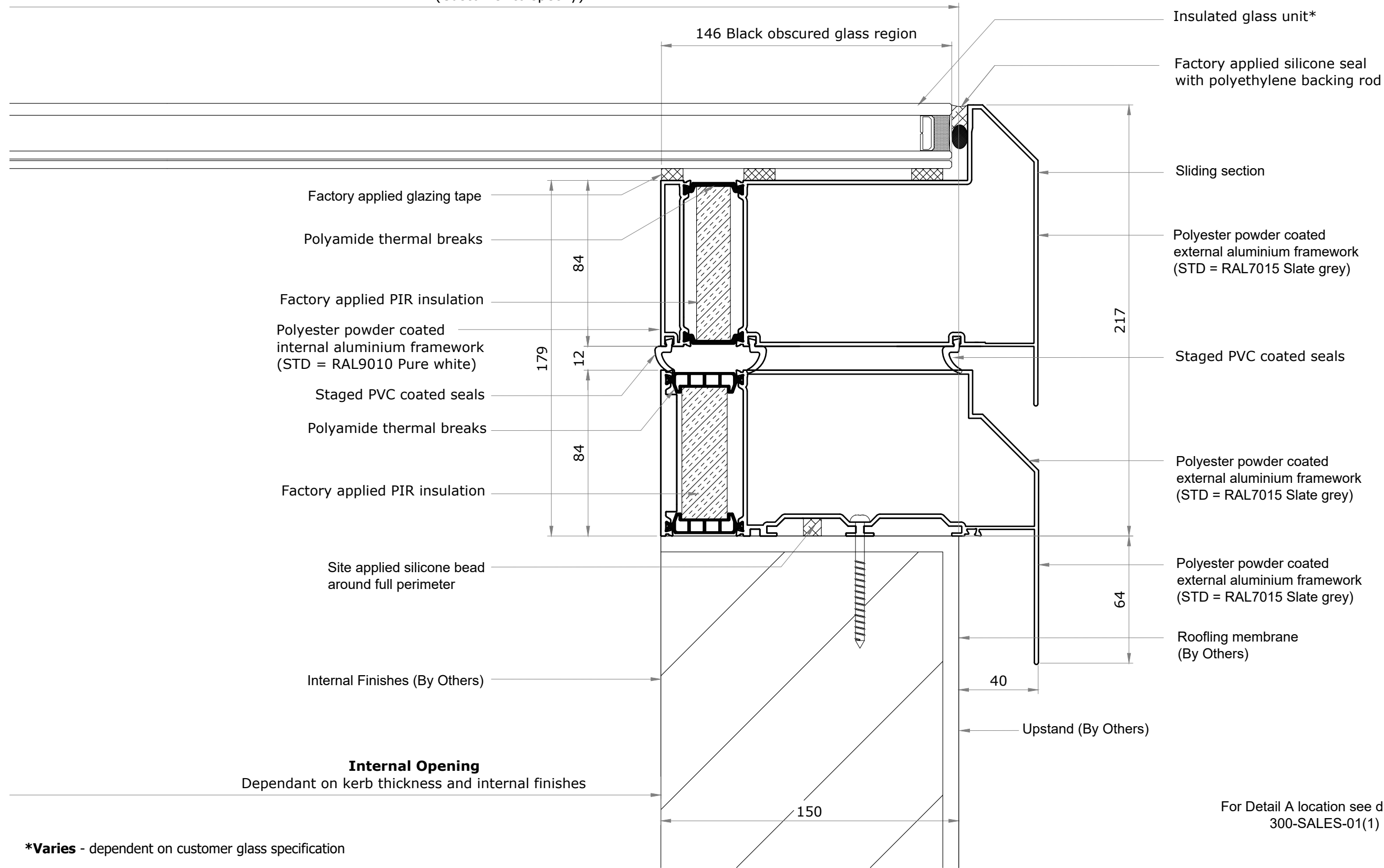
Client:

Title: Sliding Over Roof - Rooflight Fully open position			
Project: Rooflight			
Scales: 1:20 & 1:40 @ A3	Date: 01/07/22	Drawn: CR	Chk: CR
Drg No.: 300-SALES-001(2)		Rev: -	

**Detail A ( Scale 1:2 )**

(Closed Position)

**Width**  
Critical dimension  
Includes all weathering finishes  
(Customer to specify)



Insulated glass unit\*  
Factory applied silicone seal with polyethylene backing rod

Sliding section  
Polyester powder coated external aluminium framework (STD = RAL7015 Slate grey)

Staged PVC coated seals  
Polyester powder coated external aluminium framework (STD = RAL7015 Slate grey)

Polyester powder coated external aluminium framework (STD = RAL7015 Slate grey)  
Roofing membrane (By Others)

Upstand (By Others)

**Internal Opening**  
Dependant on kerb thickness and internal finishes

For Detail A location see drawing:  
300-SALES-01(1)

\*Varies - dependent on customer glass specification

GENERAL NOTES				
1. NO DIMENSIONS ARE TO BE SCALED FROM THIS DRAWING.				
2. DISCREPANCIES IN SITE DIMENSIONS TO BE REPORTED TO NEXT GENERATION ROOFLIGHTS.				
3. ALL DIMENSIONS IN MILLIMETERS.				
4. ALL LEVELS IN METRES.				
5. THIS DRAWING REMAINS THE PROPERTY OF VISION AGI LIMITED AND MAY NOT BE COPIED, REPRODUCED OR ITS CONTENTS DIVULGED WITHOUT PRIOR WRITTEN CONSENT FROM VISION AGI LIMITED.				

Rev	Date	Init	Revision

**NEXT GENERATION ROOFLIGHTS**  
Queens Business Park  
Wilbraham Road  
Fulbourn  
Cambridge  
CB21 5GT  
T: 01223 792 224  
E: sales@nextgenrooflights.co.uk  
info@nextgenrooflights.co.uk  
W: nextgenrooflights.co.uk

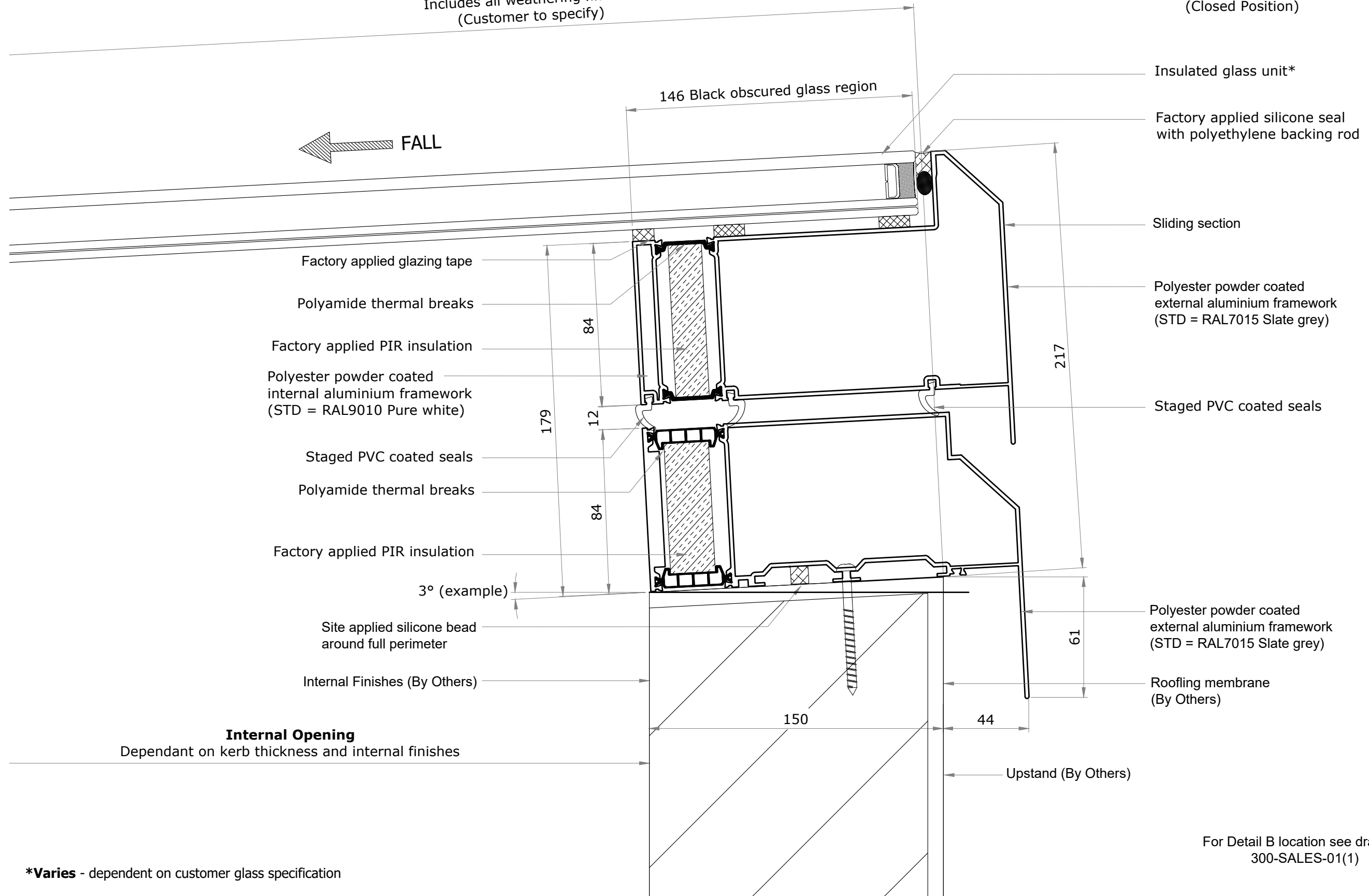


Client:

Title: Sliding Over Roof - Rooflight Detail A			
Project: Rooflight			
Scales: 1:2 @ A3	Date: 01/07/22	Drawn: CR	Chk: CR
Drg No.: 300-SALES-001(3)		Rev: -	

**Span**  
Critical dimension.  
Includes all weathering finishes  
(Customer to specify)

**Detail B ( Scale 1:2 )**  
(Closed Position)



\*Varies - dependent on customer glass specification

For Detail B location see drawing:  
300-SALES-01(1)

GENERAL NOTES	
1. NO DIMENSIONS ARE TO BE SCALED FROM THIS DRAWING.	
2. DISCREPANCIES IN SITE DIMENSIONS TO BE REPORTED TO NEXT GENERATION ROOFLIGHTS.	
3. ALL DIMENSIONS IN MILLIMETERS.	
4. ALL LEVELS IN METRES.	
5. THIS DRAWING REMAINS THE PROPERTY OF VISION AGI LIMITED AND MAY NOT BE COPIED, REPRODUCED OR ITS CONTENTS DIVULGED WITHOUT PRIOR WRITTEN CONSENT FROM VISION AGI LIMITED.	

Rev	Date	Init	Revision

**NEXT GENERATION ROOFLIGHTS**  
Queens Business Park  
Wilbraham Road  
Fulbourn  
Cambridge  
CB21 5GT  
T: 01223 792 224  
E: sales@nextgenrooflights.co.uk  
info@nextgenrooflights.co.uk  
W: nextgenrooflights.co.uk



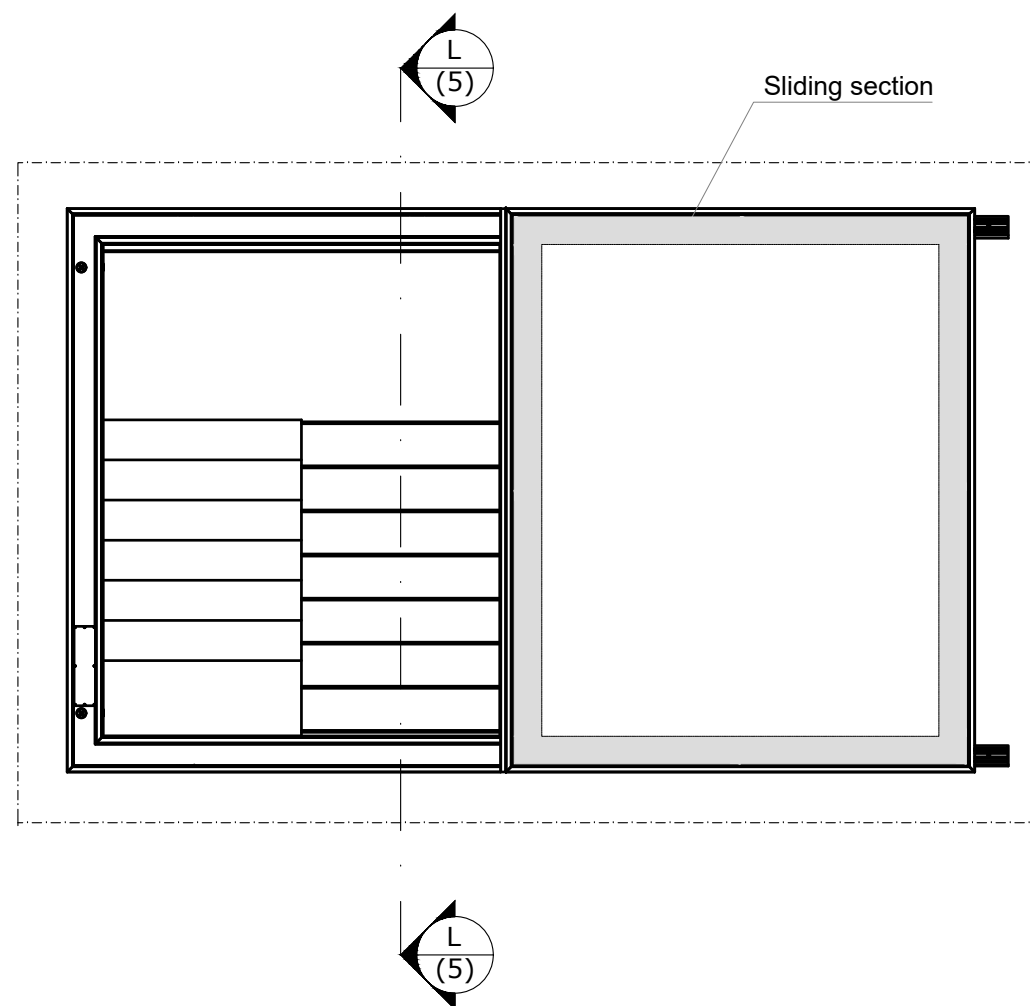
Client:

Title: Sliding Over Roof - Rooflight Detail B			
Project: Rooflight			
Scales: 1:2 @ A3	Date: 01/07/22	Drawn: CR	Chk: CR
Drg No.: 300-SALES-001(4)		Rev: -	

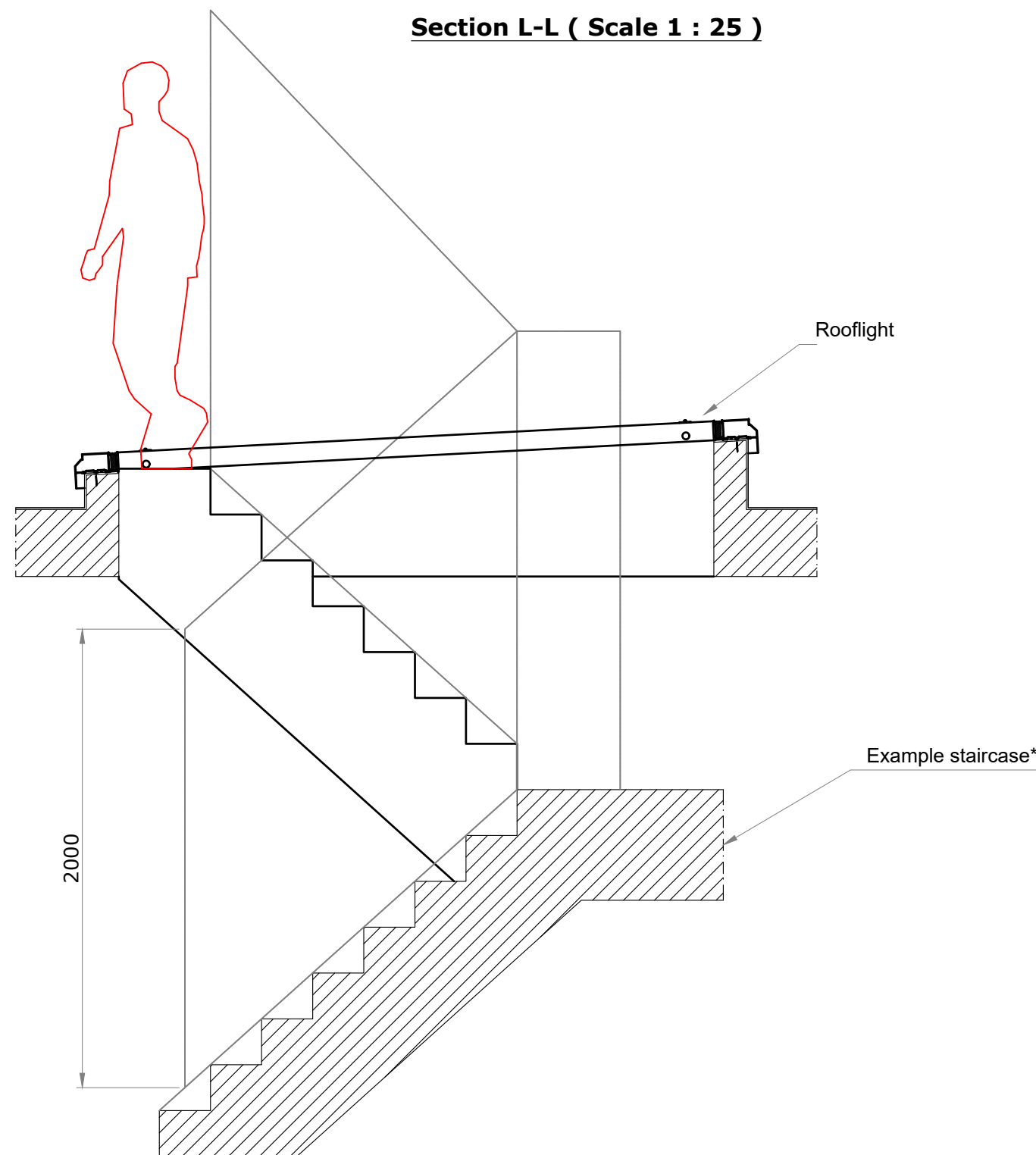
**Staircase Example**  
(for roof terrace access)

**Plan View ( Scale 1:40 )**

(Fully Open Position)



**Section L-L ( Scale 1 : 25 )**



\*The staircase shown is just one typical example just to show sizes that comply with Approved Document K of Building Regulations. This does not constitute a design proposal. There are many other options, we recommend you check with your local building control office when designing the staircase.

GENERAL NOTES	
1. NO DIMENSIONS ARE TO BE SCALED FROM THIS DRAWING.	
2. DISCREPANCIES IN SITE DIMENSIONS TO BE REPORTED TO NEXT GENERATION ROOFLIGHTS.	
3. ALL DIMENSIONS IN MILLIMETERS.	
4. ALL LEVELS IN METRES.	
5. THIS DRAWING REMAINS THE PROPERTY OF VISION AGI LIMITED AND MAY NOT BE COPIED, REPRODUCED OR ITS CONTENTS DIVULGED WITHOUT PRIOR WRITTEN CONSENT FROM VISION AGI LIMITED.	

Next Generation Rooflights is a trading name of Vision AGI Limited, Company No. 08429446, Registered Office: 1 Vicarage Lane, Stratford, London, E15 4HF

Rev	Date	Init	Revision

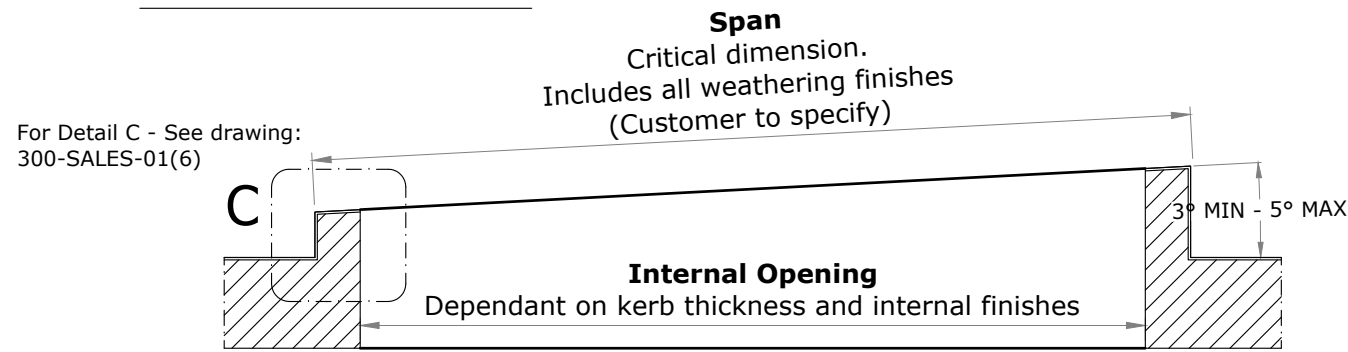
**NEXT GENERATION ROOFLIGHTS**  
 Queens Business Park  
 Wilbraham Road  
 Fulbourn  
 Cambridge  
 CB21 5GT  
 T: 01223 792 224  
 E: sales@nextgenrooflights.co.uk  
 info@nextgenrooflights.co.uk  
 W: nextgenrooflights.co.uk



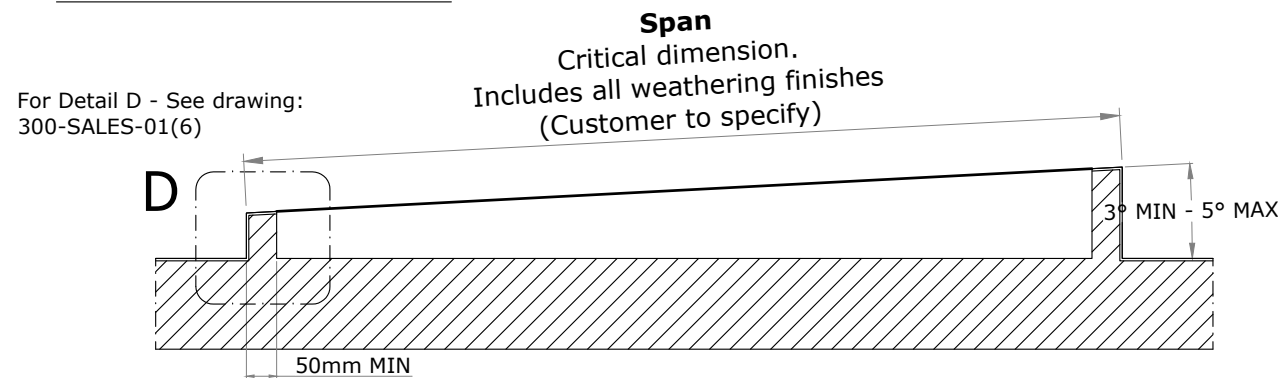
Client:

Title: Sliding Over Roof - Rooflight Staircase Example			
Project: Rooflight			
Scales: 1:25 & 1:40 @ A3	Date: 24/06/22	Drawn: CR	Chk: CR
Drg No.: 300-SALES-001(5)		Rev: -	

**Section G-G ( Scale 1 : 25 )**

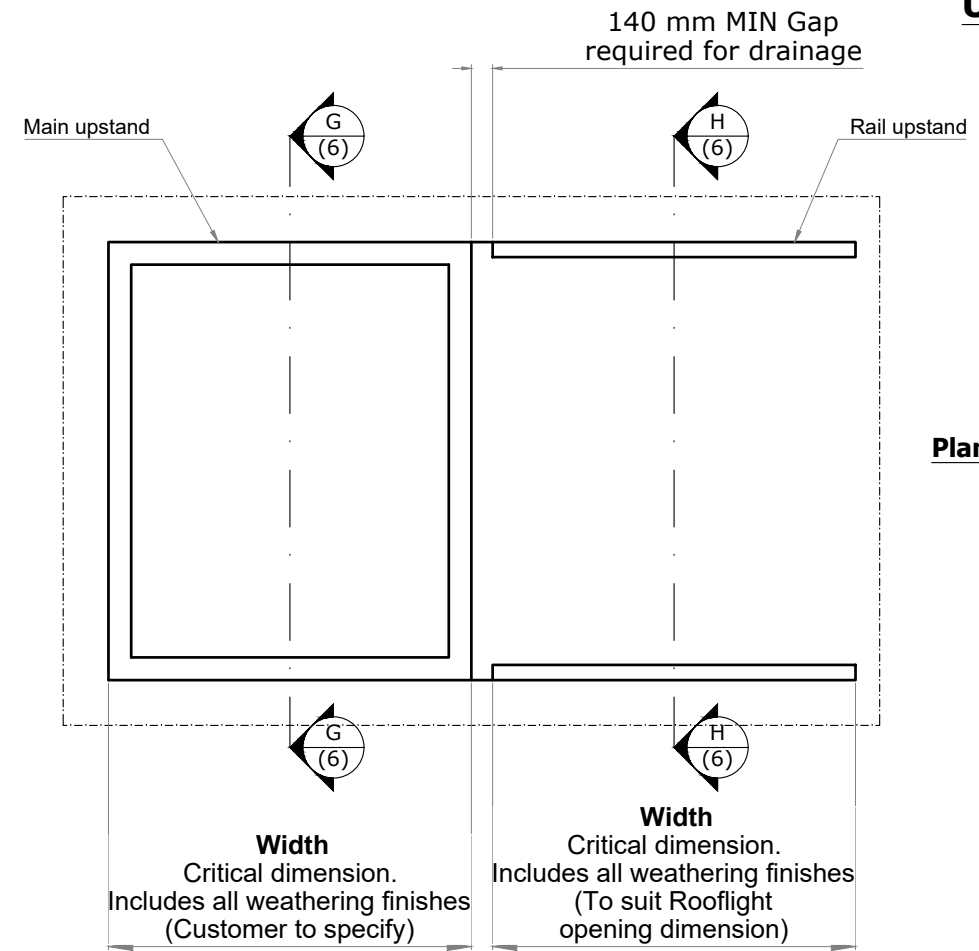


**Section H-H ( Scale 1 : 25 )**



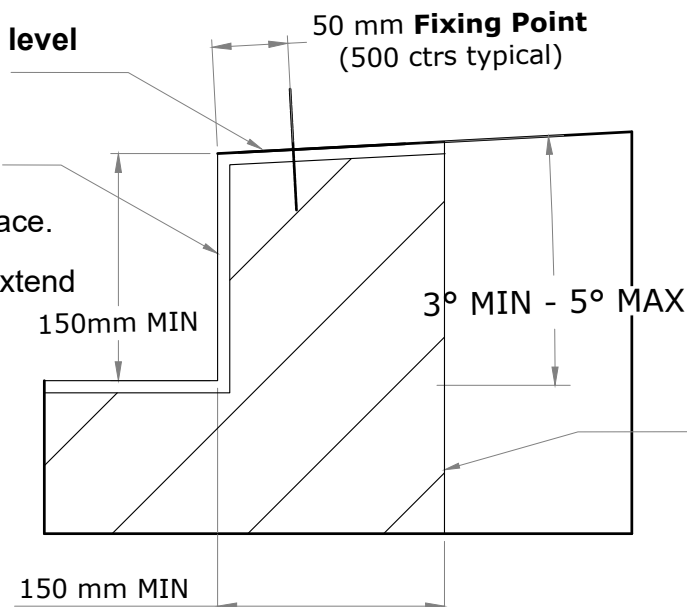
**Upstand Drawing 3°-5°**

(For flat roofs)



**\*Top face must be level  
with rail upstands**

**\*External weathering**  
Membranes may be  
wrapped over the top face.  
Lead or other metallic  
weathering must not extend  
over the top face.  
(By Others)

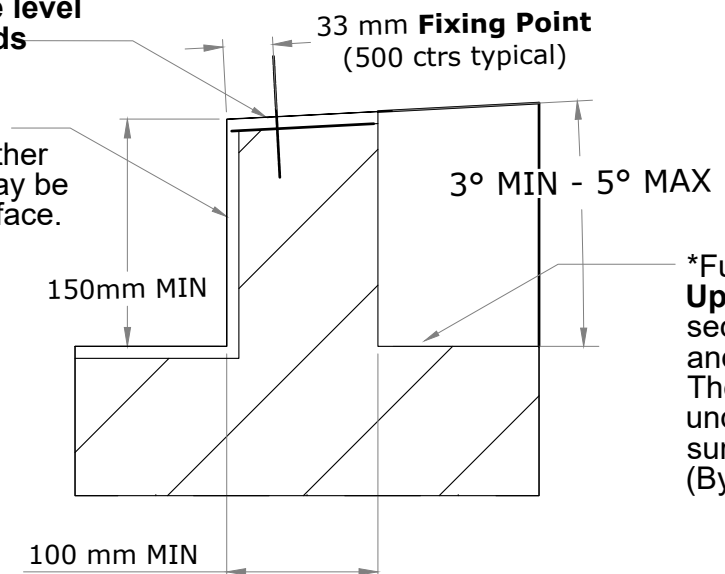


**Detail C ( Scale 1:5 )**

**\*Fully weathered Upstand.**  
Must provide secure fixing  
point  
and support the rooflight.  
There must be no steps or  
undulations on the top  
surface that exceed ±2mm  
(By Others)

**\*Top face must be level  
with main upstands**

**\*External weathering**  
Membranes, lead or other  
metallic weathering may be  
wrapped over the top face.  
(By Others)



**Detail D ( Scale 1:5 )**

**\*Fully weathered Structural  
Upstand.** Must provide  
secure fixing point  
and support the rooflight.  
There must be no steps or  
undulations on the top  
surface that exceed ±2mm  
(By Others)

\*Next Generation Rooflights Strongly recommends that a structural engineer is consulted when designing the structure(s) that will support the product and the surrounding roof. Nothing in this drawing constitutes a structural proposal.

GENERAL NOTES	
1. NO DIMENSIONS ARE TO BE SCALED FROM THIS DRAWING.	
2. DISCREPANCIES IN SITE DIMENSIONS TO BE REPORTED TO NEXT GENERATION ROOFLIGHTS.	
3. ALL DIMENSIONS IN MILLIMETERS.	
4. ALL LEVELS IN METRES.	
5. THIS DRAWING REMAINS THE PROPERTY OF VISION AGI LIMITED AND MAY NOT BE COPIED, REPRODUCED OR ITS CONTENTS DIVULGED WITHOUT PRIOR WRITTEN CONSENT FROM VISION AGI LIMITED.	

Next Generation Rooflights is a trading name of Vision AGI Limited, Company No. 08429446, Registered Office: 1 Vicarage Lane, Stratford, London, E15 4HF

Rev	Date	Init	Revision
	22/10/2018		

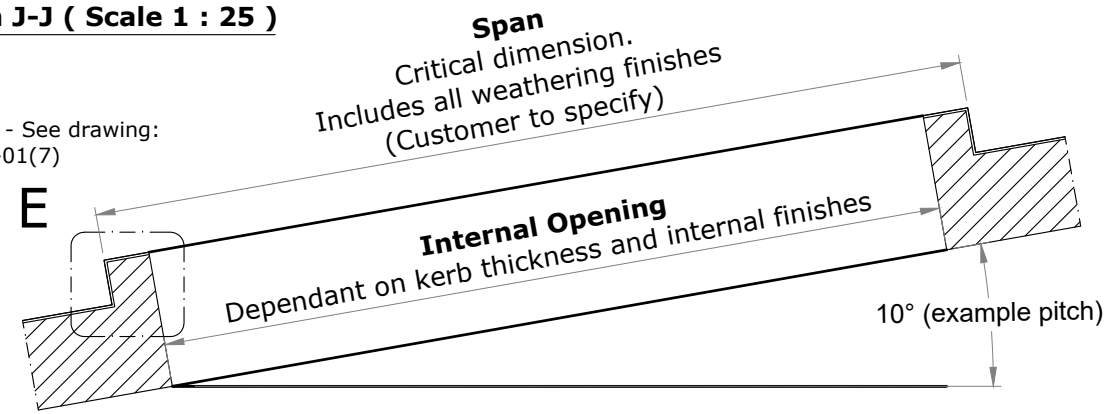
**NEXT GENERATION ROOFLIGHTS**  
Queens Business Park  
Wilbraham Road  
Fulbourn  
Cambridge  
CB21 5GT  
T: 01223 792 224  
E: sales@nextgenrooflights.co.uk  
info@nextgenrooflights.co.uk  
W: nextgenrooflights.co.uk

Client:

Title: Sliding Over Roof - Rooflight Upstand drawing (3°-5°)			
Project: Rooflight			
Scales: As indicated above	Date: 01/07/22	Drawn: CR	Chk: CR
Drg No.: 300-SALES-001(6)		Rev: -	

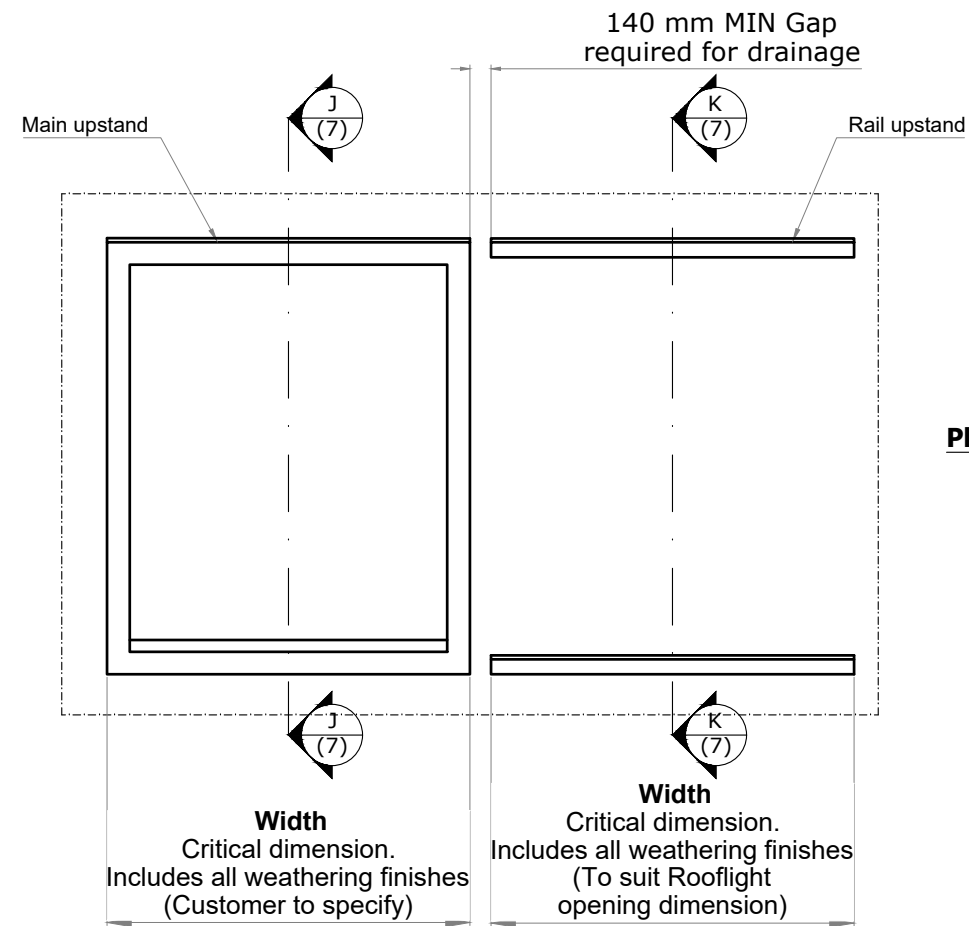
**Section J-J ( Scale 1 : 25 )**

For Detail E - See drawing:  
300-SALES-01(7)



**Upstand Drawing 5°-45°**

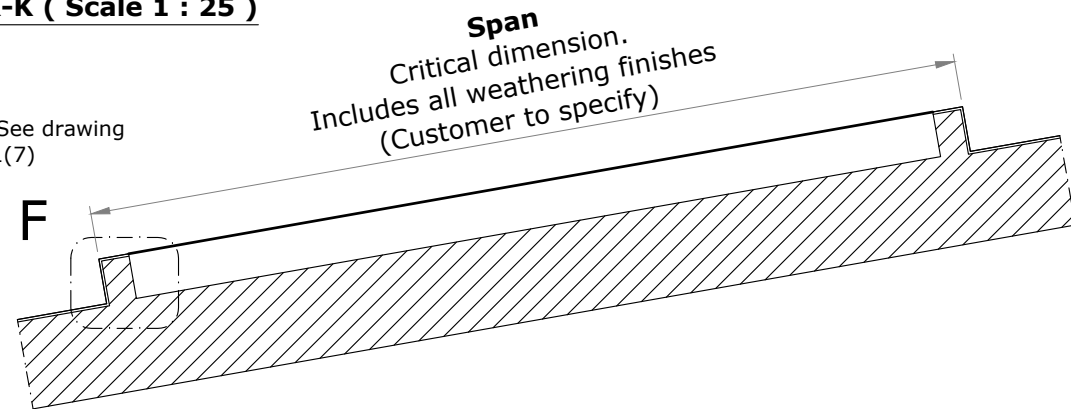
(Parallel to pitched roof)



**Plan View ( Scale 1:50 )**

**Section K-K ( Scale 1 : 25 )**

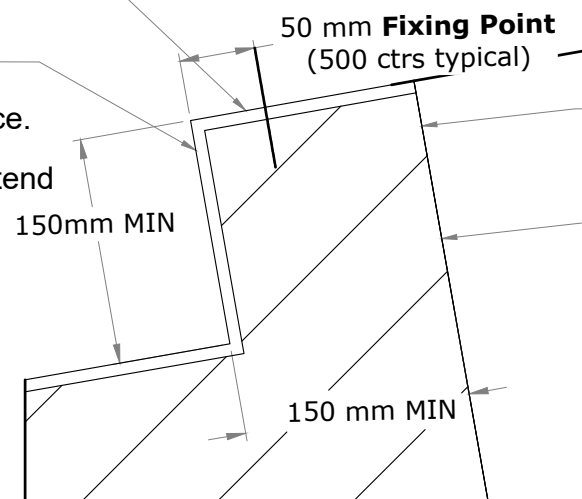
For Detail F - See drawing  
300-SALES-01(7)



**Detail E ( Scale 1:5 )**

**\*Top face must be level with rail upstands**

**\*External weathering**  
Membranes may be wrapped over the top face. Lead or other metallic weathering must not extend over the top face. (By Others)



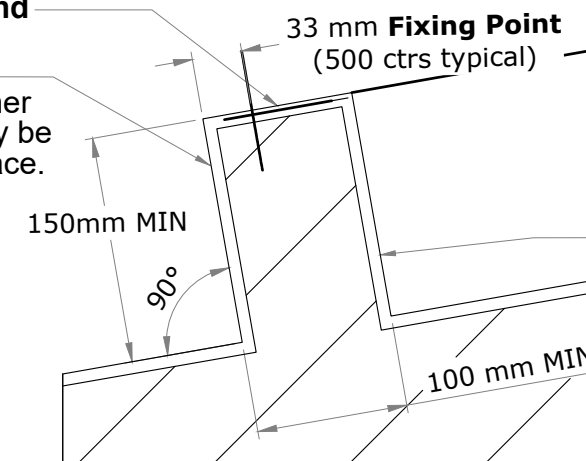
**Internal finishes**  
Example - Plasterboard (By Others)

**\*Fully weathered Structural Upstand.** Must provide secure fixing point and support the rooflight. There must be no steps or undulations on the top surface that exceed ±2mm (By Others)

**Detail F ( Scale 1:5 )**

**\*Top face must be level with main upstand**

**\*External weathering**  
Membranes, lead or other metallic weathering may be wrapped over the top face. (By Others)



**\*Fully weathered Structural Upstand.** Must provide secure fixing point and support the rooflight. There must be no steps or undulations on the top surface that exceed ±2mm (By Others)

\*Next Generation Rooflights Strongly recommends that a structural engineer is consulted when designing the structure(s) that will support the product and the surrounding roof. Nothing in this drawing constitutes a structural proposal.

GENERAL NOTES			
1. NO DIMENSIONS ARE TO BE SCALED FROM THIS DRAWING.			
2. DISCREPANCIES IN SITE DIMENSIONS TO BE REPORTED TO NEXT GENERATION ROOFLIGHTS.			
3. ALL DIMENSIONS IN MILLIMETERS.			
4. ALL LEVELS IN METRES.			
5. THIS DRAWING REMAINS THE PROPERTY OF VISION AGI LIMITED AND MAY NOT BE COPIED, REPRODUCED OR ITS CONTENTS DIVULGED WITHOUT PRIOR WRITTEN CONSENT FROM VISION AGI LIMITED.			

Rev	Date	Init	Revision

**NEXT GENERATION ROOFLIGHTS**  
Queens Business Park  
Wilbraham Road  
Fulbourn  
Cambridge  
CB21 5GT  
T: 01223 792 224  
E: sales@nextgenrooflights.co.uk  
info@nextgenrooflights.co.uk  
W: nextgenrooflights.co.uk

Client:

Title: Sliding Over Roof - Rooflight Upstand drawing (5°-45°)			
Project: Rooflight			
Scales: As indicated above	Date: 01/07/22	Drawn: CR	Chk: CR
Drg No.: 300-SALES-001(7)		Rev: -	